



CE 641 E.

Electric cooker, 4 electric hotplates,
1 electric oven.

- Body and front in stainless steel.
- Stainless steel legs with adjustable feet. Height: 150/175 mm.
- Total power: 9.5 kW.
- Electrical supply: three-phase 400V + N + E.
- Optional: 400 V without N phase for additional cost.

Hob

- Dimensions : 600 x 650 mm.
- 2 x 2 kW hotplates, Ø 180 mm.
- 2 x 1.5kW hotplates, Ø 145 mm.

Oven

- Interior dimensions: W 400 - D 455 - H 305 mm.
- Power of heating elements:
Base + periphery roof element: 2.5 kW - Grill: 2.4 kW.
- Thermostat.
- Standard equipment: 1 oven rack, 1 enamelled roasting dish.



CE 641 E

W 600 - D 650 - H 900

Variations:

OVEN (instead of gas oven)

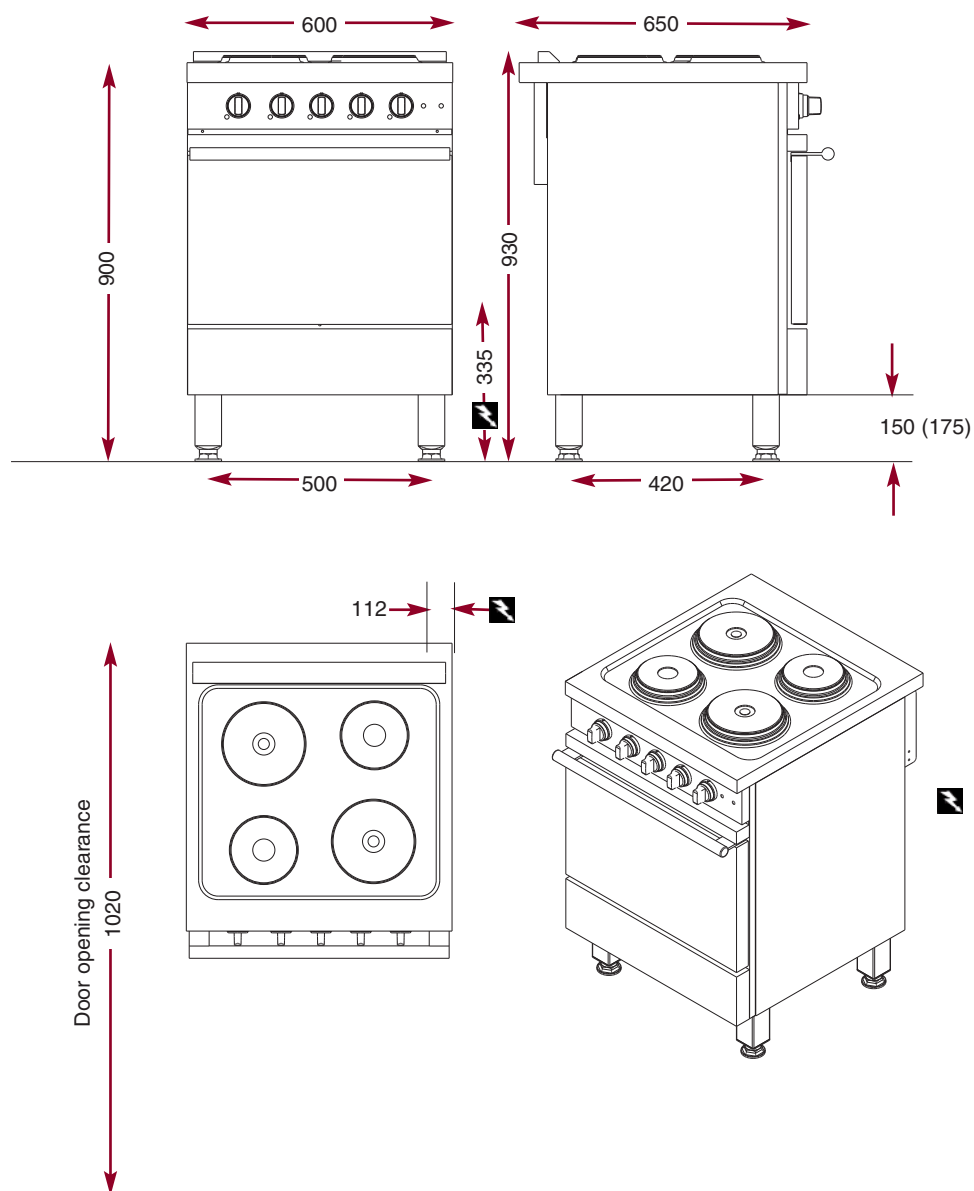
SFCT 001 1 convection oven (2.65 kW)*

SGE 001 Electric grill (in convection oven)

*Optional: 400V without N phase available, additional cost.

4 electric hotplates, 1 electric oven.

CE 641 E



AMBASSADE
DE FOURGOGNE

The Chef's Choice.

N° 14 - 2